



# GAS HOT PLATE

Project                      Date                      Models **HPCP212, HPCP424, HPCP636**                      Item#                      Quantity



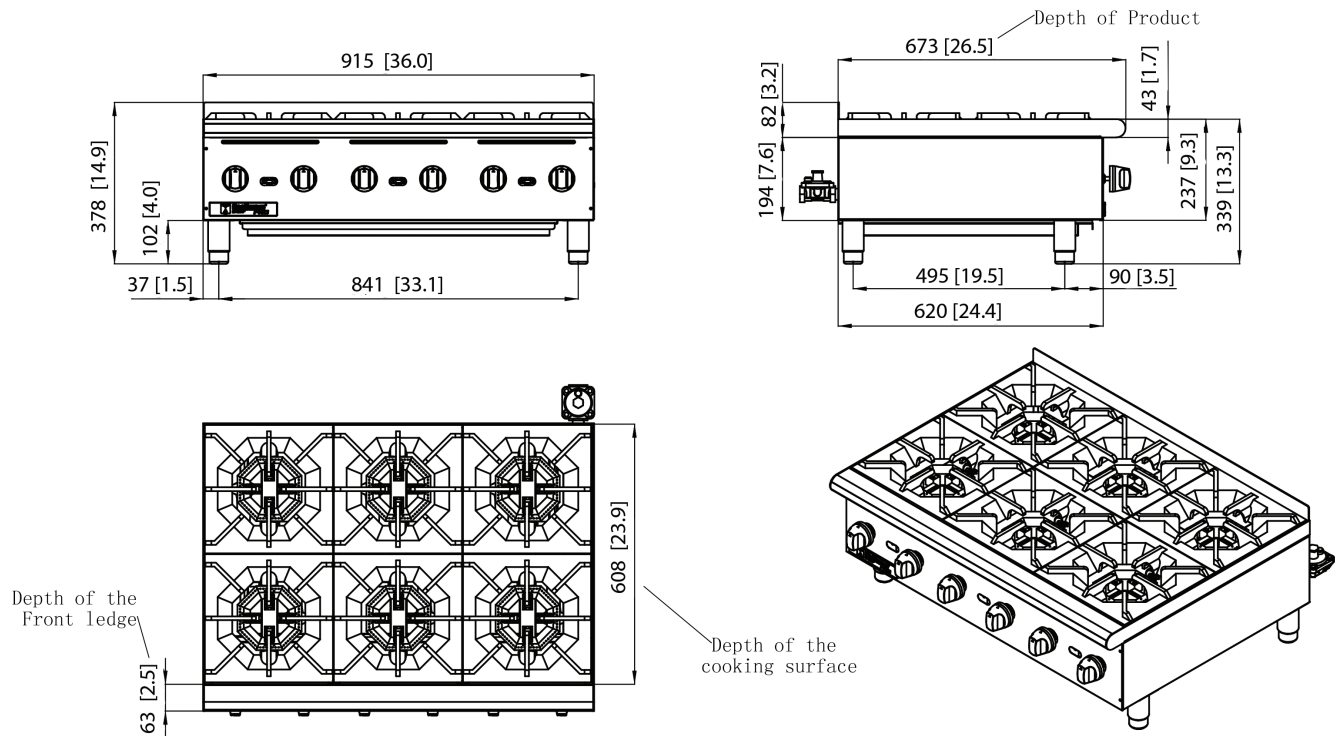
model HPCP636

## Features

- Sleek, long-wearing, stainless steel construction for long life and easy maintenance.
- All models can be operated using natural or LP gas (conversion kit included).
- Individually controlled burners with 44,000 BTUs per foot.
- Heavy-duty cast iron trivets for a sturdy work surface.
- Countertop units with 23.6" (60 cm) depth available in three widths:
  - 12" (30.5 cm) wide with 2 burners.
  - 24" (61 cm) wide with 4 burners.
  - 36" (91 cm) wide with 6 burners.
- Easy access front panel pilot adjustments.
- Durable anti-clogging dual-ported burners.
- Ergonomically rounded front bullnose, 1¾" (4.4 cm) sturdy non-marring stainless steel legs.
- Industrial metal knobs.

# Models & Dimensions

## Gas Hot Plate



model HPCP636 represented measurements in mm [inches]

## Specifications

Model	Cooking Surface (W x D)	No. of Burners	Power	Product Dimensions (H x W X D)	Ship Dimensions (H x W X D)	Ship Weight
<b>HPCP212</b> (6200-2000)	12" x 20" (30.5 cm x 51 cm)	2	44,000 BTUs	13.4" x 12.0" x 30.3" (34 cm x 30.5 cm x 77 cm)	17.99" x 16.65" x 30.91" (45.7 cm x 42.3 cm x 78.5 cm)	70 lbs. (32 kg.)
<b>HPCP424</b> (6200-4000)	24" x 20" (60.6 cm x 51 cm)	4	88,000 BTUs	13.4" x 24.0" x 30.3" (34 cm x 61 cm x 77 cm)	17.99" x 28.54" x 30.91" (45.7 cm x 72.5 cm x 78.5 cm)	123 lbs. (56 kg)
<b>HPCP636</b> (6200-6000)	36" x 20" (91.1 cm x 51 cm)	6	132,000 BTUs	13.4" x 36.0" x 30.3" (34 cm x 91.4 cm x 77 cm)	17.99" x 40.67" x 30.91" (45.7 cm x 103.3 cm x 78.5 cm)	176 lbs. (80 kg.)

